



Jongen Werkzeugtechnik

5xD

Korthulsbor

3xD

SPECIAL OFFER

DRILLING TOOLS



Products from



Willich



North-Rhine Westphalia



Germany



Europe

for



Europe

and the



The special offer is valid till 31.08.2024, or while stocks last.

Only complete sets for sale, as indicated in this brochure and at market usual order quantities.

IDANA

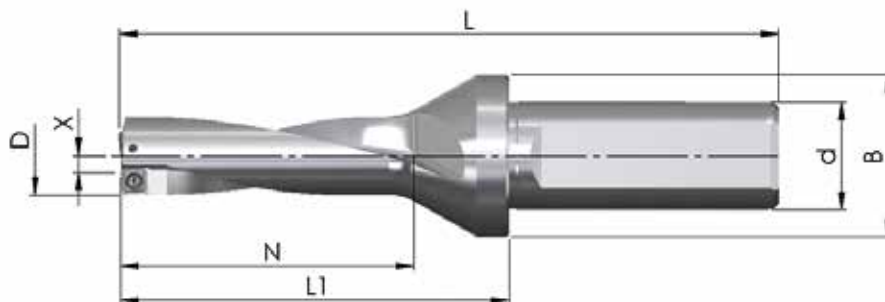
-TOOL A/S

Leverandør af skærende værktøj

Address: Saturnvej 1
Post code: DK-8700 Horsens
Phone: +45 7020 0727



SET 2024-1 - 3xD DRILLING TOOL TYPE D01

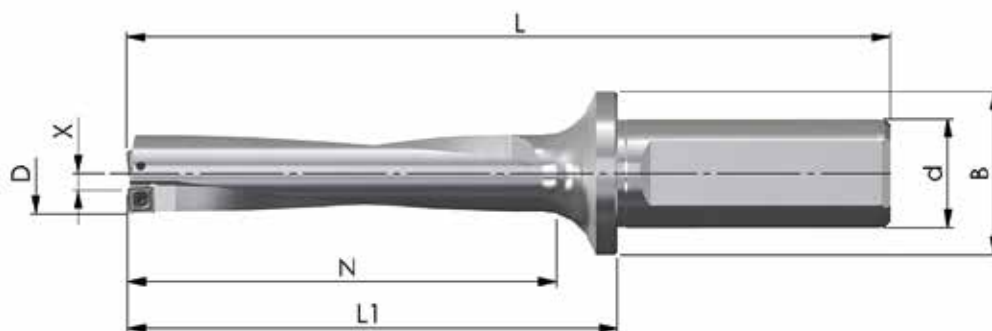


Article Code	D	N	L ₁	L	d _{h6}	B	Z	X max.	Listepris
BW-14-42-20-04	14,0	42,0	69	119	20	30	1+1	0,25	2.059,-
BW-14,5-45-20-04	14,5	45,0	72	122	20	30	1+1	0,25	2.059,-
BW-15-45-20-04	15,0	45,0	72	122	20	30	1+1	0,25	2.059,-
BW-15,5-48-20-04	15,5	48,0	75	125	20	30	1+1	0,25	2.059,-
BW-16-48-20-04	16,0	48,0	75	125	20	30	1+1	0,25	2.059,-
10 stk. (1 pk) JDD01-04T2R04-... or JDD01-0402R04-... valgfri kvalitet									769,-

Listepris: **2.828,-**

Special pris for 1 stk. af ovenstående bor + 1 pakke platter for korthulsbor: **1.835,-**

SET 2024-2 - 5xD DRILLING TOOL TYPE D01

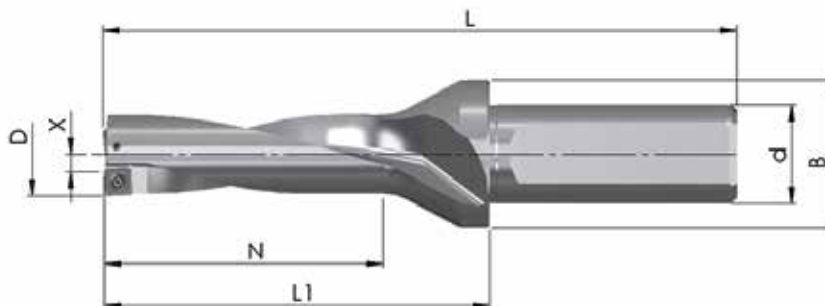


Article Code	D	N	L ₁	L	d _{h6}	B	Z	X max.	Listepris
BW-14-70-20-04	14,0	70,0	85,0	135,0	20	30	1+1	0,25	2.613,-
BW-14,5-75-20-04	14,5	75,0	87,5	137,5	20	30	1+1	0,25	2.613,-
BW-15-75-20-04	15,0	75,0	90,0	140,0	20	30	1+1	0,25	2.613,-
BW-15,5-80-20-04	15,5	80,0	92,5	142,5	20	30	1+1	0,25	2.613,-
BW-16-80-20-04	16,0	80,0	95,0	145,0	20	30	1+1	0,25	2.613,-
BW-16,5-85-20-04	16,5	85,0	97,5	147,5	20	30	1+1	0,25	2.613,-
10 stk. (1 pk) JDD01-04T2R04-... or JDD01-0402R04-... valgfri kvalitet									769,-

Listepris: **3.382,-**

Special pris for 1 stk. af ovenstående bor + 1 pakke platter for korthulsbor: **2.191,-**

SET 2024-3- 3xD DRILLING TOOL TYPE D02

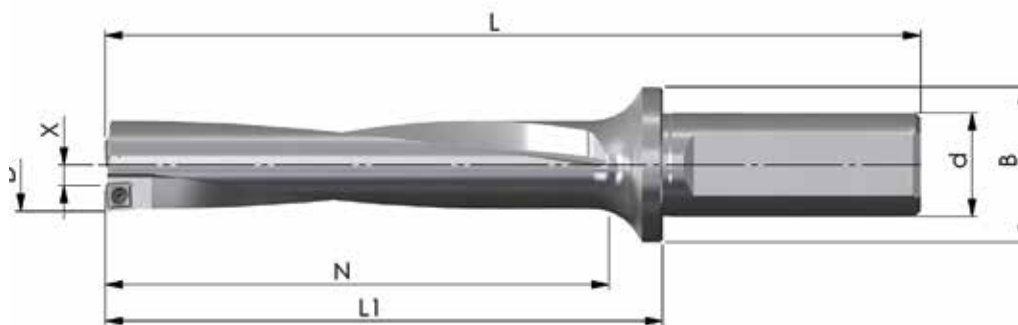


Article Code	D	N	L ₁	L	d _{h6}	B	Z	X max.	Listepris
BW-16,5-51-20-05	16,5	51,0	78	128	20	30	1+1	0,40	2.059,-
BW-17-51-20-05	17,0	51,0	78	128	20	30	1+1	0,40	2.059,-
BW-17,5-54-20-05	17,5	54,0	81	131	20	30	1+1	0,40	2.059,-
BW-18-54-20-05	18,0	54,0	81	131	20	30	1+1	0,40	2.059,-
10 stk. (1 pk) JDD02-05T2R04-... or JDD02-0502R04-... valgfri kvalitet									795,-

Listepris: **2.854,-**

Special pris for 1 stk. af ovenstående bor + 1 pakke platter for korthulsbor: **1.849,-**

SET 2024-4 - 5xD DRILLING TOOL TYPE D02

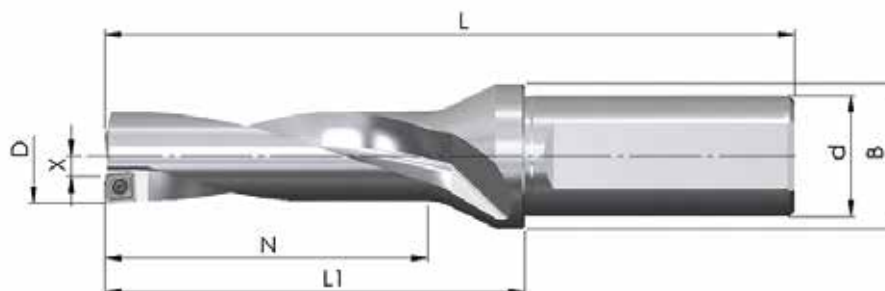


Article Code	D	N	L ₁	L	d _{h6}	B	Z	X max.	Listepris
BW-17-85-20-05	17,0	85,0	103,0	153,0	20	30	1+1	0,40	2.615,-
BW-17,5-90-20-05	17,5	90,0	105,5	155,5	20	30	1+1	0,40	2.615,-
BW-18-90-20-05	18,0	90,0	108,0	158,0	20	30	1+1	0,40	2.615,-
BW-18,5-90-25-05	18,5	90,0	109,0	165,0	25	30	1+1	0,40	2.615,-
10 stk (1 pk) JDD02-05T2R04-... or JDD02-0502R04-... valgfri kvalitet									795,-

Listepris: **3.410,-**

Special pris for 1 stk. af ovenstående bor + 1 pakke platter for korthulsbor: **2.215,-**

SET 2024-5 - 3xD DRILLING TOOL TYPE D03



Article Code	D	N	L ₁	L	d _{h6}	B	Z	X max.	Listepris
BW-18,5-57-25-06	18,5	57,0	84	140	25	30	1+1	0,5	2.059,-
BW-19-57-25-06	19,0	57,0	84	140	25	30	1+1	0,5	2.059,-
BW-19,5-60-25-06	19,5	60,0	87	143	25	30	1+1	0,5	2.059,-
BW-20-60-25-06	20,0	60,0	87	143	25	30	1+1	0,5	2.233,-
BW-20,5-63-25-06	20,5	63,0	90	146	25	30	1+1	0,5	2.233,-
10 stk (1 pk) JDD03-06T2R06-... or JDD03-0602R06-... valgfri kvalitet									823,-

Listepris: fra 2.882,- til 3.056,-

Special pris for 1 stk. af ovenstående bor + 1 pakke platter for korthulsbor: 2.051,-

SET 2024-6 - 5xD DRILLING TOOL TYPE D03

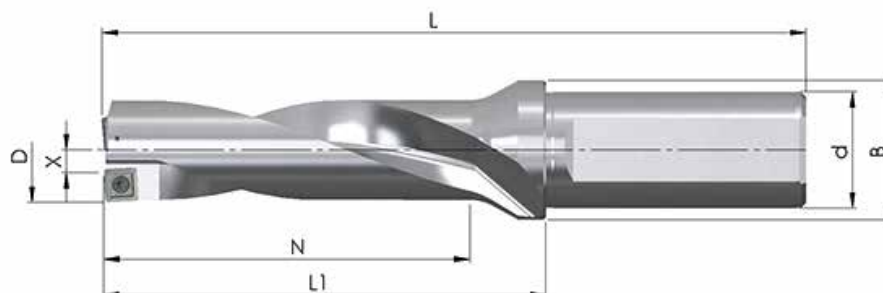


Article Code	D	N	L ₁	L	d _{h6}	B	Z	X max.	Listepris
BW-19-95-25-06	19,0	95,0	111,5	167,5	25	30	1+1	0,5	2.613,-
BW-19,5-100-25-06	19,5	100,0	114,0	170,0	25	30	1+1	0,5	2.613,-
BW-20-100-25-06	20,0	100,0	116,5	172,5	25	30	1+1	0,5	2.956,-
BW-20,5-105-25-06	20,5	105,0	119,0	175,0	25	30	1+1	0,5	2.956,-
BW-21-105-25-06	21,0	105,0	121,5	177,5	25	30	1+1	0,5	2.956,-
10 stk (1 pk) JDD03-06T2R06-... or JDD03-0602R06-... valgfri kvalitet									823,-

Listepris: 3.436,- eller 3.779,-

Special pris for 1 stk. af ovenstående bor + 1 pakke platter for korthulsbor: 2.457,-

SET 2024-7 - 3xD DRILLING TOOL TYPE D04

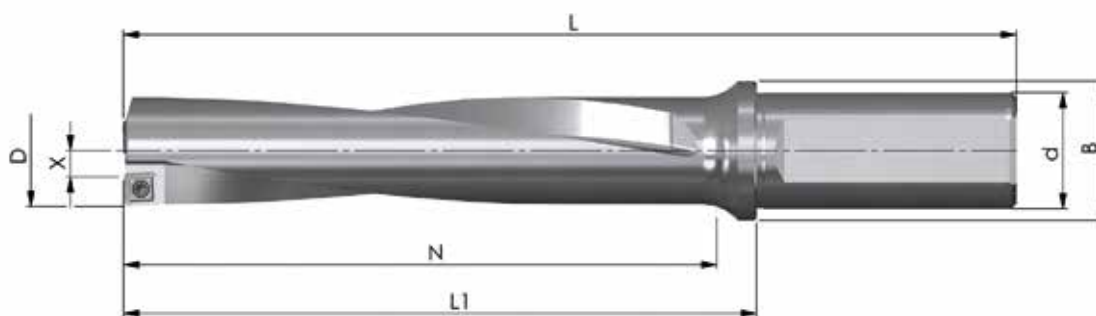


Article Code	D	N	L ₁	L	d _{h6}	B	Z	X max.	Listepris
BW-21-63-25-07	21,0	63,0	90	146	25	30	1+1	0,5	2.332,-
BW-21,5-63-25-07	21,5	63,0	90	146	25	30	1+1	0,5	2.332,-
BW-22-66-25-07	22,0	66,0	92	148	25	30	1+1	0,5	2.332,-
BW-22,5-69-25-07	22,5	69,0	95	151	25	30	1+1	0,5	2.332,-
BW-23-69-25-07	23,0	69,0	95	151	25	30	1+1	0,5	2.332,-
BW-23,5-72-25-07	23,5	72,0	98	154	25	30	1+1	0,5	2.332,-
BW-24-72-25-07	24,0	72,0	98	154	25	30	1+1	0,5	2.332,-
10 stk (1 pk) JDD04-07T2R06-... or JDD04-0702R06-... valgfri kvalitet									830,-

Listepris: **3.162,-**

Special pris for 1 stk. af ovenstående bor + 1 pakke platter for korthulsbor: **2.051,-**

SET 2024-8 - 5xD DRILLING TOOL TYPE D04

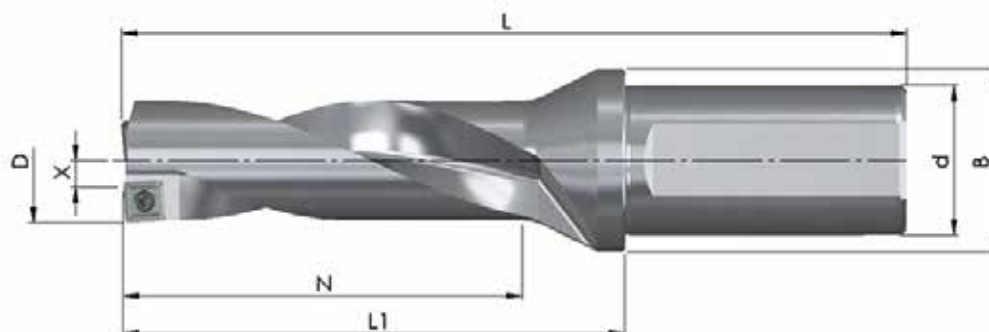


Article Code	D	N	L ₁	L	d _{h6}	B	Z	X max.	Listepris
BW-21,5-110-25-07	21,5	110,0	124,0	180,0	25	30	1+1	0,5	2.956,-
BW-22-110-25-07	22,0	110,0	126,5	182,5	25	30	1+1	0,5	2.956,-
BW-22,5-115-25-07	22,5	115,0	129,0	185,0	25	30	1+1	0,5	2.956,-
BW-23-115-25-07	23,0	115,0	131,5	187,5	25	30	1+1	0,5	2.956,-
BW-23,5-118-25-07	23,5	118,0	134,0	190,0	25	30	1+1	0,5	2.956,-
BW-24-120-25-07	24,0	120,0	136,5	192,5	25	30	1+1	0,5	2.956,-
BW-24,5-125-32-07	24,5	125,0	140,5	200,5	32	39	1+1	0,5	2.956,-
BW-25-125-32-07	25,0	125,0	143,0	203,0	32	39	1+1	0,5	3.143,-
BW-25,5-130-32-07	25,5	130,0	145,5	205,5	32	39	1+1	0,5	3.143,-
10 stk (1 pk) JDD04-07T2R06-... or JDD04-0702R06-... valgfri kvalitet									830,-

Listepris: **3.786,-** eller **3.973,-**

Special pris for 1 stk. af ovenstående bor + 1 pakke platter for korthulsbor: **2.581,-**

SET 2024-9 - 3xD DRILLING TOOL TYPE D05

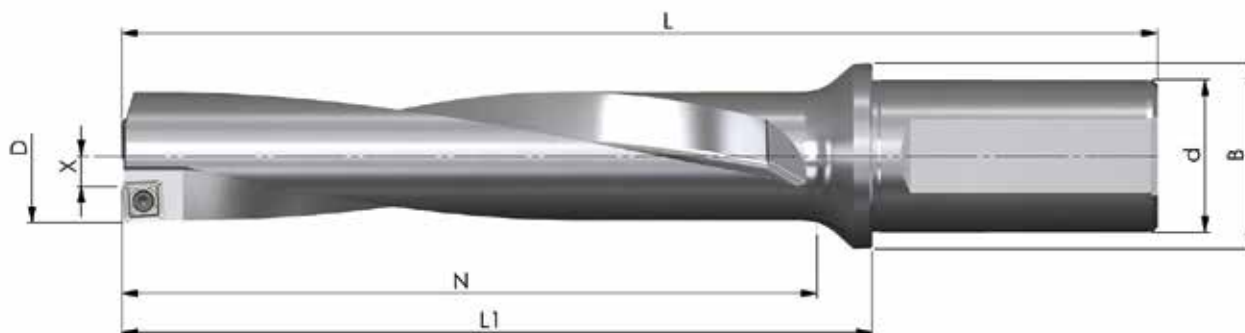


Article Code	D	N	L ₁	L	d _{h6}	B	Z	X max.	Listepris
BW-24,5-75-32-08	24,5	75,0	101	161	32	39	1+1	0,5	2.332,-
BW-25-75-32-08	25,0	75,0	101	161	32	39	1+1	0,5	2.480,-
BW-25,5-78-32-08	25,5	78,0	104	164	32	39	1+1	0,5	2.480,-
BW-26-78-32-08	26,0	78,0	104	164	32	39	1+1	0,5	2.480,-
BW-26,5-81-32-08	26,5	81,0	107	167	32	39	1+1	0,5	2.480,-
BW-27-81-32-08	27,0	81,0	107	167	32	39	1+1	0,5	2.480,-
BW-27,5-84-32-08	27,5	84,0	110	170	32	39	1+1	0,5	2.480,-
BW-28-84-32-08	28,0	84,0	110	170	32	39	1+1	0,5	2.480,-
BW-28,5-87-32-08	28,5	87,0	110	170	32	39	1+1	0,5	2.480,-
10 stk (1 pk) JDD05-08T3R08-... or JDD05-0803R08-... valgfri kvalitet									893,-

Listepris: 3.225,- eller 3.373,-

Special pris for 1 stk. af ovenstående bor + 1 pakke platter for korthulsbor: 2.191,-

SET 2024-10 - 5xD DRILLING TOOL TYPE D05

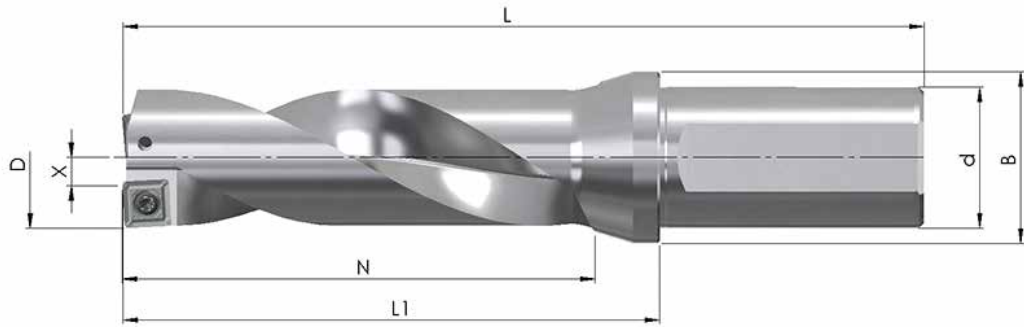


Article Code	D	N	L ₁	L	d _{h6}	B	Z	X max.	Listepris
BW-26-130-32-08	26,0	130,0	148,0	208,0	32	39	1+1	0,5	3.143,-
BW-26,5-135-32-08	26,5	135,0	150,5	210,5	32	39	1+1	0,5	3.143,-
BW-27-135-32-08	27,0	135,0	153,0	213,0	32	39	1+1	0,5	3.143,-
BW-28-140-32-08	28,0	140,0	158,0	218,0	32	39	1+1	0,5	3.143,-
BW-29-145-32-08	29,0	145,0	163,0	223,0	32	39	1+1	0,5	3.143,-
BW-30-150-32-08	30,0	150,0	168,0	228,0	32	39	1+1	0,5	3.143,-
10 stk(1 pk) JDD05-08T3R08-... or JDD05-0803R08-... valgfri kvalitet									893,-

Listepris: 4.036,-

Special pris for 1 stk. af ovenstående bor + 1 pakke platter for korthulsbor: 2.620,-

SET 2024-11 - 3xD DRILLING TOOL TYPE D06

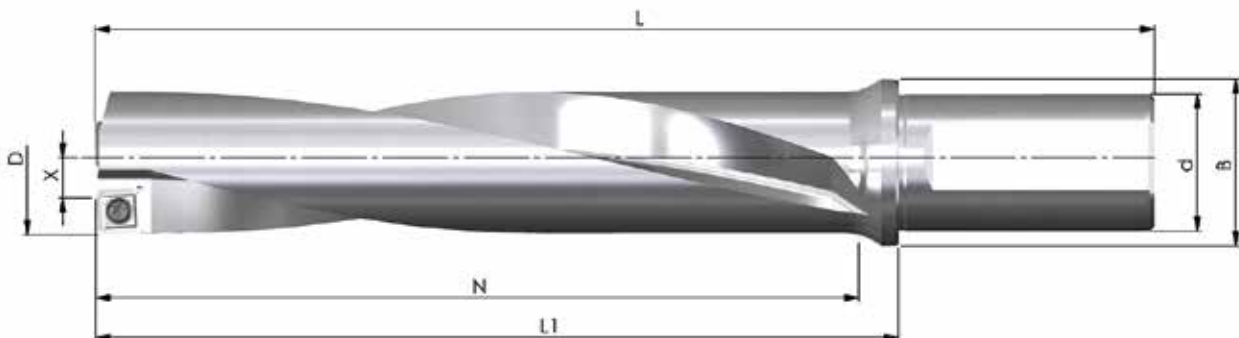


Article Code	D	N	L ₁	L	d _{h6}	B	Z	X max.	Listepris
BW-29-87-32-10	29,0	87,0	113	173	32	39	1+1	0,5	2.480,-
BW-29,5-87-32-10	29,5	87,0	113	173	32	39	1+1	0,5	2.480,-
BW-30-90-32-10	30,0	90,0	116	176	32	39	1+1	0,5	2.480,-
BW-31-93-32-10	31,0	93,0	119	179	32	39	1+1	0,5	2.480,-
BW-32-96-32-10	32,0	96,0	122	182	32	39	1+1	0,5	2.480,-
BW-33-99-32-10	33,0	99,0	125	185	32	39	1+1	0,5	2.480,-
BW-34-102-32-10	34,0	102,0	128	188	32	39	1+1	0,5	2.480,-
10 stk. (1 pk.) JDD06-10T4R08-... or JDD06-1004R08-... valgfri kvalitet									1.017,-

Listepris: **3.497,-**

Special pris for 1 stk. af ovenstående bor + 1 pakke platter for korthulsbor **2.269,-**

SET 2024-12 - 5xD DRILLING TOOL TYPE D06

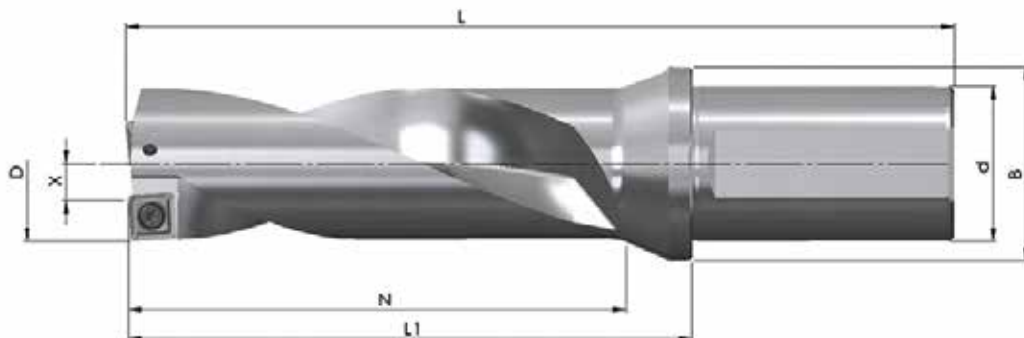


Article Code	D	N	L ₁	L	d _{h6}	B	Z	X max.	Listepris
BW-31-155-32-10	31,0	155,0	173,0	233,0	32	39	1+1	0,5	3.143,-
BW-32-160-32-10	32,0	160,0	178,0	238,0	32	39	1+1	0,5	3.143,-
BW-33-165-32-10	33,0	165,0	183,0	243,0	32	39	1+1	0,5	3.143,-
BW-34-170-32-10	34,0	170,0	188,0	248,0	32	39	1+1	0,5	3.143,-
BW-35-175-40-10	35,0	175,0	193,0	261,0	40	50	1+1	0,5	3.143,-
BW-36-180-40-10	36,0	180,0	198,0	266,0	40	50	1+1	0,5	3.143,-
BW-37-185-40-10	37,0	185,0	203,0	271,0	40	50	1+1	0,5	3.666,-
10 stk. (1 pk.) JDD06-10T4R08-... or JDD06-1004R08-... valgfri kvalitet									1.017,-

Listepris: **4.160,-** eller **4.683,-**

Special pris for 1 stk. af ovenstående bor + 1 pakke platter for korthulsbor: **3.043,-**

SET 20222-13 - 3xD DRILLING TOOL TYPE D07

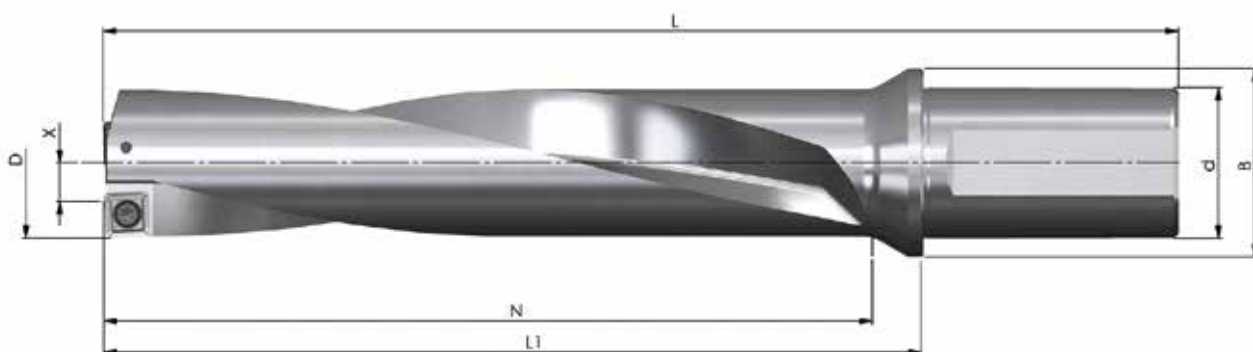


Article Code	D	N	L ₁	L	d _{h6}	B	Z	X max.	Listepris
BW-35-105-40-12	35,0	105,0	131	199	40	50	1+1	0,5	2.480,-
BW-36-108-40-12	36,0	108,0	134	202	40	50	1+1	0,5	2.480,-
BW-37-111-40-12	37,0	111,0	137	205	40	50	1+1	0,5	2.886,-
BW-38-114-40-12	38,0	114,0	140	208	40	50	1+1	0,5	2.886,-
BW-39-117-40-12	39,0	117,0	143	211	40	50	1+1	0,5	2.886,-
BW-40-120-40-12	40,0	120,0	146	214	40	50	1+1	0,5	2.886,-
BW-41-123-40-12	41,0	123,0	149	217	40	50	1+1	0,5	2.886,-
BW-42-126-40-12	42,0	126,0	152	220	40	50	1+1	0,5	2.886,-
BW-43-129-40-12	43,0	129,0	155	223	40	50	1+1	0,5	2.886,-
BW-44-132-40-12	44,0	132,0	158	226	40	50	1+1	0,5	2.886,-
10 stk.(1 pk) JDD07-12T5R08-... or JDD07-1205R08-... valgfri kvalitet									1.103,-

Listepris 3.584 eller 3.989,-

Specialpris for 1 stk.af ovenstående bor + 1 pakke platter for korthulsbor : 2.589,-

SET 2024-14 - 5xD DRILLING TOOL TYPE D07



Article Code	D	N	L ₁	L	d _{h6}	B	Z	X max.	Listepris
BW-38-190-40-12	38,0	190,0	208,0	276,0	40	50	1+1	0,5	3.666,-
BW-39-195-40-12	39,0	195,0	213,0	281,0	40	50	1+1	0,5	3.666,-
BW-40-200-40-12	40,0	200,0	218,0	286,0	40	50	1+1	0,5	3.666,-
BW-41-205-40-12	41,0	205,0	223,0	291,0	40	50	1+1	0,5	3.666,-
BW-42-210-40-12	42,0	210,0	228,0	296,0	40	50	1+1	0,5	3.666,-
BW-43-215-40-12	43,0	215,0	233,0	301,0	40	50	1+1	0,5	3.666,-
BW-44-220-40-12	44,0	220,0	238,0	306,0	40	50	1+1	0,5	3.666,-
10 stk (1 pk) JDD07-12T5R08-... or JDD07-1205R08-...valgfri kvalitet									1.103,-

Listepris 4.769,-

Special pris for 1 stk. af ovenstående bor + 1 pakke platter for korthulsbor:

3.096,-